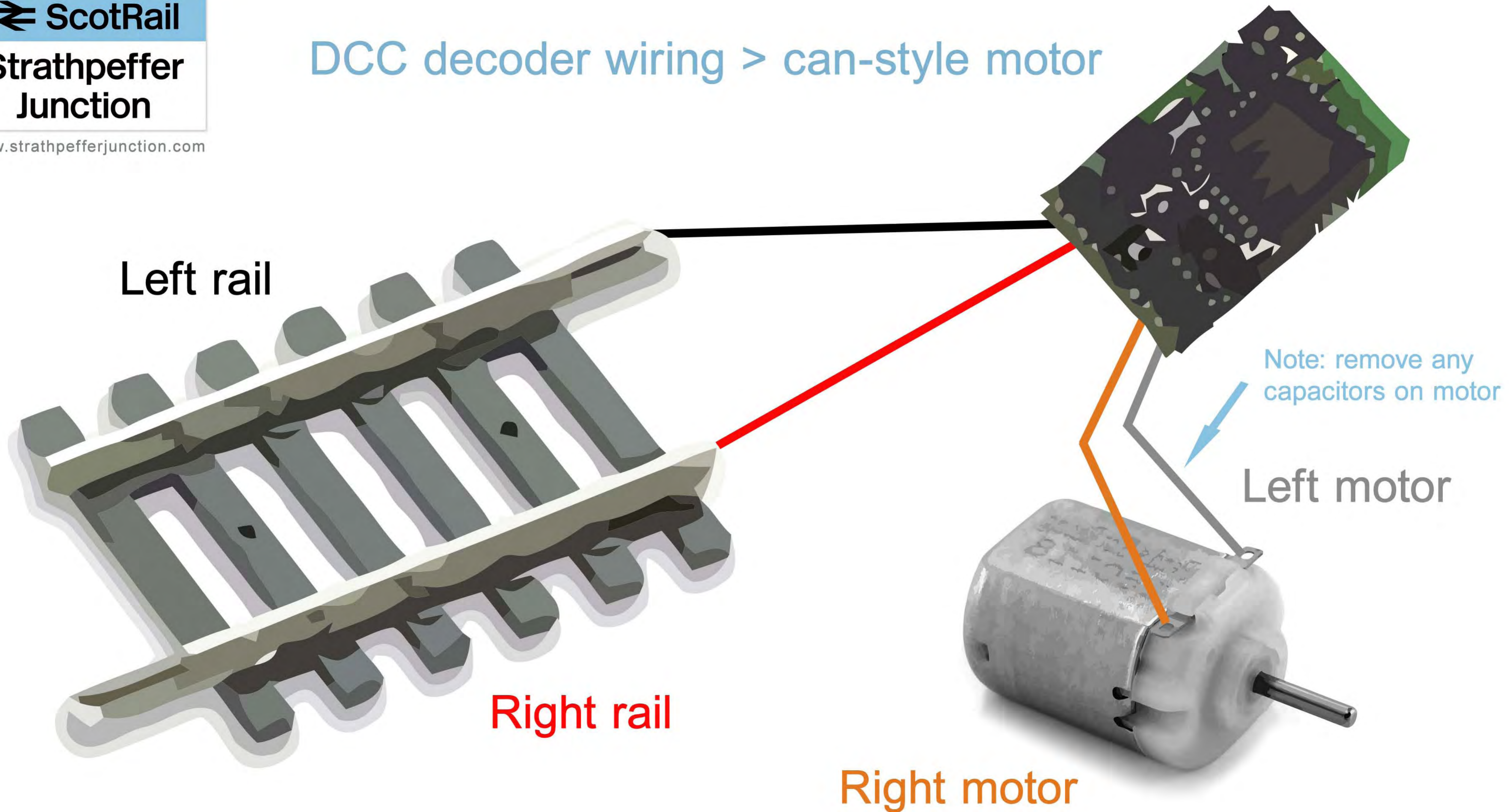
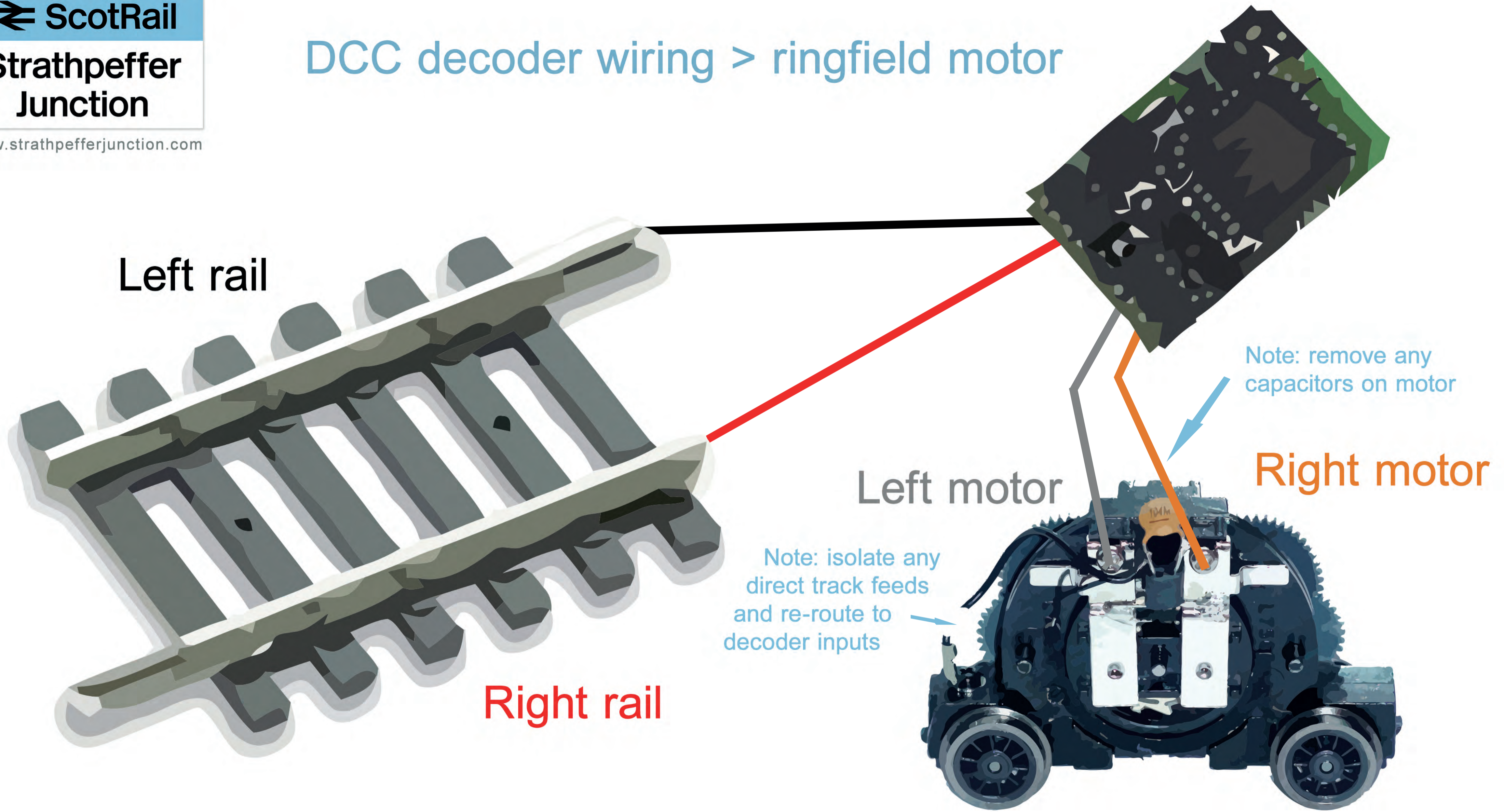


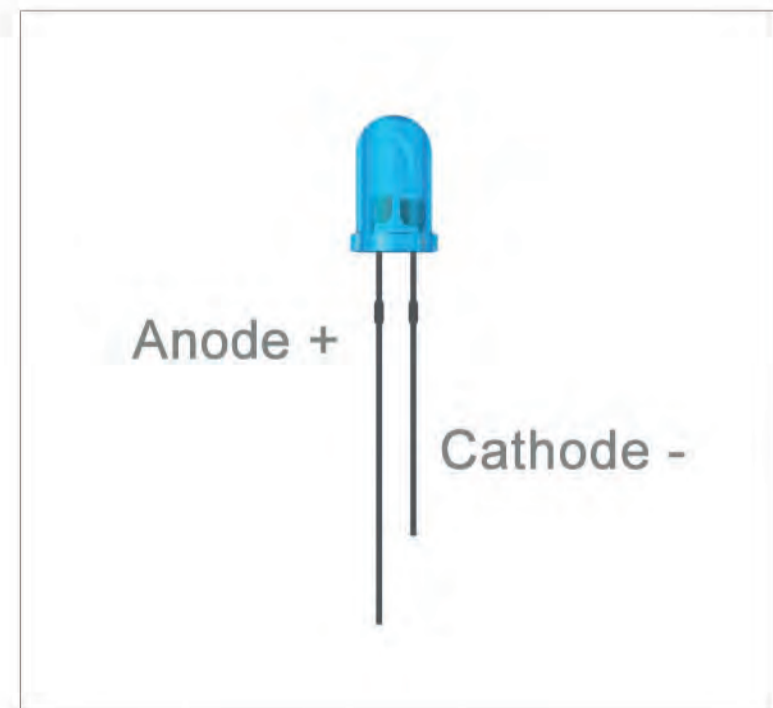
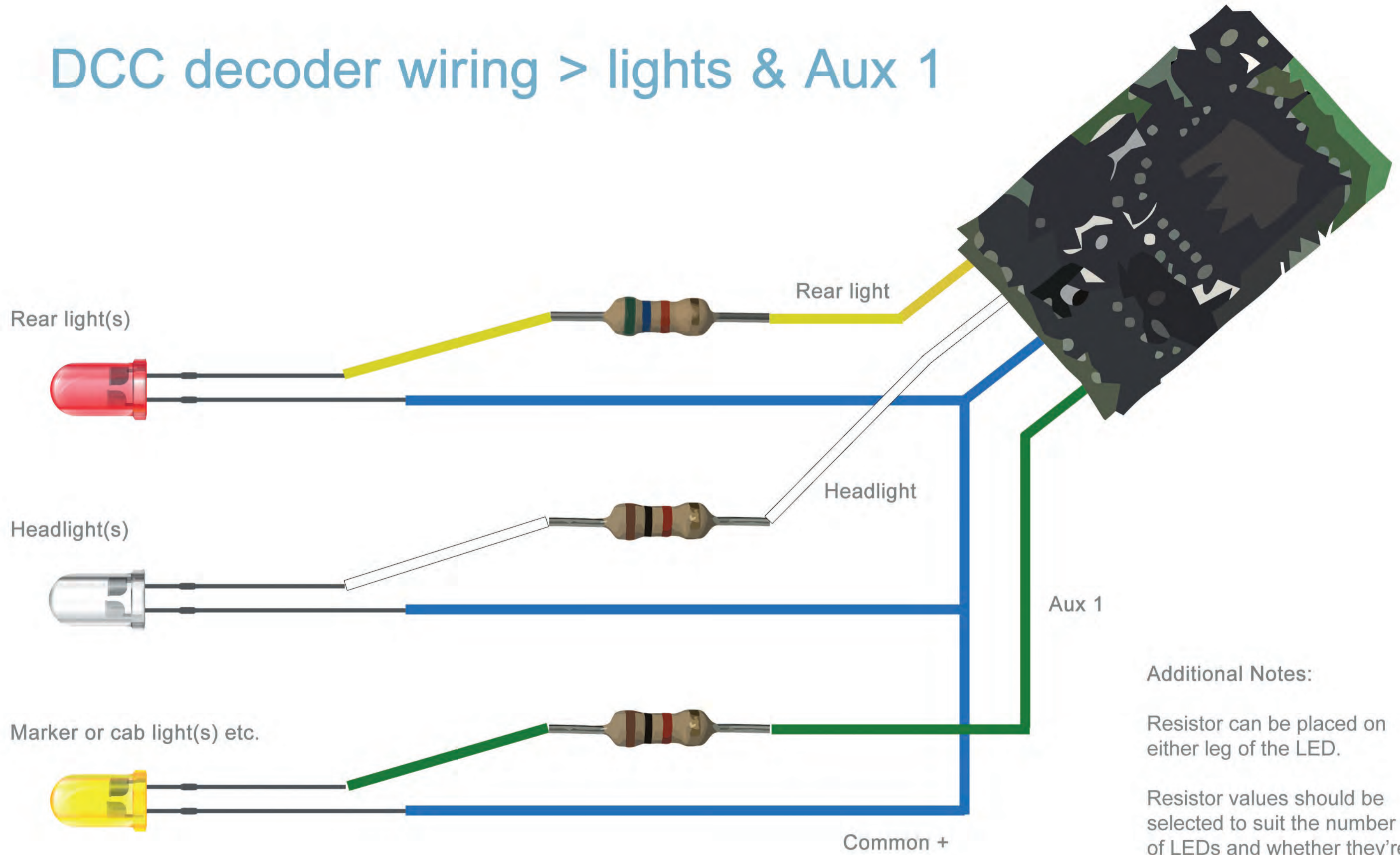
DCC decoder wiring > can-style motor



DCC decoder wiring > ringfield motor



DCC decoder wiring > lights & Aux 1



Additional Notes:

Resistor can be placed on either leg of the LED.

Resistor values should be selected to suit the number of LEDs and whether they're wired in series or parallel..

1.5KΩ suggested for Headlights, while a value in the range of 10KΩ for running or rear lights.

NB. This is the wiring layout for No.1 end. For No.2 end, directional control must be reversed, meaning white goes to rear and yellow to headlights.